

Major Features

Digital Copier

- Auto Magnification Selection
- Auto Paper Selection
- Job Memory (5)
- Interrupt Mode
- SADF Mode*¹
- Multi Size Feed*¹
- Image Rotation (90°)
- Electronic Sort
- Rotation Sort
- Shift Sort*²
- Staple Sort*²
- OHP Interleaving Mode*¹
- Image Overlay Mode
- Skyshot Mode
- X-Y Zoom (25 - 400 %)
- Page Numbering*¹
- Edge Mode
- Margin Mode
- Book Mode
- Duplex Copy 1→2
2→1*³
2→2*¹
Book→2
- 2 Page Copy Mode
- 2 in 1*¹
- 4 in 1*¹
- Booklet Mode

Printer/Scanner

- Duplex Printing
- Staple Printing*²
- Status Monitor*⁴
- Security Print*⁵

G3 Fax (Option)

- Phone Book (up to 200 stations)
Tel number digits (up to 36 digits)
- Program Dial (up to 12 Programs)
- Intelligent Redial
- Chain Dialing
- Distinctive Ring Detector (DRD)
- Duplex Scanning*³
- 90° Rotation Transmission
- Ledger Size Transmission / Reception
- Quick Memory Transmission
- Multi-station Transmission (up to 270 stations)
- Deferred Transmission
- Priority Direct Transmission
- Real-time Batch Transmission
- Receive to Memory
- Substitute Reception
- Number of memory job files (Max. 50 files)
- Edit File Mode (with View Mode)
- Automatic/Fixed Reduction
- Overlapping Print
- 90° Rotation Reception
- Duplex Printing
- Polling / Multi-station Polling
- Deferred Polling / Deferred Multi-station Polling
- Memory Polling Transmission
- Automatic Cover Sheet
- Verification Stamp*¹
- Header/Total Page Print
- Transaction Journal
- Mailbox Transmission/Polling
- Mailbox Center
- Sub-address Transmission
- Fax Access Code
- PIN Code Access
- Class 2 Modem

Internet Fax (Option)

- E-mail / G3 Fax Mixed Broadcast
- E-mail Relay Transmission to G3 Fax
- Inbound Routing
- Received Fax/E-mail Forward
- E-mail Header Print Selection (All or From/To/Subject only)
- Subject Line Entry
- Remote Phone Book Update via E-Mail
- E-mail Receipt Return
- 600-dpi Network Printer
- 400-dpi Network Scanner

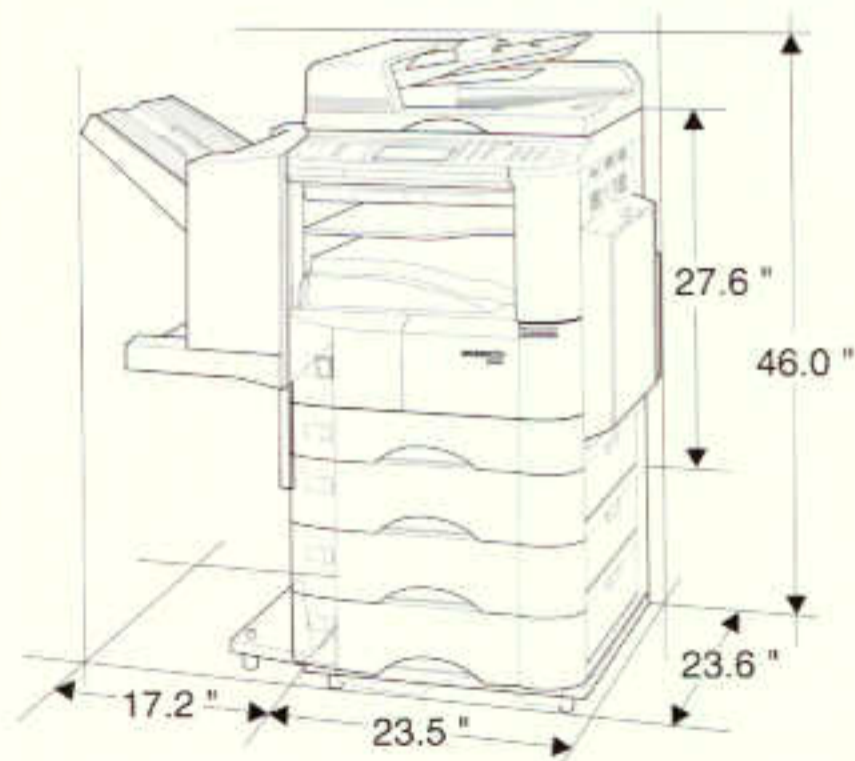
Others

- Output to separate tray for Printing, Fax, Copy
- Multi-Task Operation
- Self Diagnostic Function
- Energy Saver Mode
- Remote Diagnostic*⁶
- Department Counter (50 departments)
- Check & Call Function*⁶

Control Panel



Dimensions



ISO 9001 Quality Management System

Every aspect of Matsushita Graphic Communication Systems, Inc. (MGCS)'s office information equipment business processes, from manufacturing to marketing, conforms to ISO (International Organization for Standardization) 9001 quality management system standard.

Design, development, manufacture, installation, repair and maintenance of office information equipment, their associated devices and consumables.



In addition, MGCS's plants outside Japan have acquired ISO 9002 certification.

DP-3000E Specifications

Basic / Digital PPC

Type	Desktop
Copy / Print Process	Laser / Electrostatic photographic method
Process	Dry type single component imaging
Warm-up Time	Approx. 45 sec.
First Copy Time	3.8 sec.
Resolution	600 dpi
Gray Scale	256 steps
Multi Copy Speed	33 ppm
Maximum Original Size	Ledger
Copy Size	Ledger, Legal, Letter, Invoice
Copy Ratio	Enlargement (fixed) 200%, 155%, 129%, 121% Reduction (fixed) 79%, 77%, 65%, 61%, 50%
Zoom (variable)	25 ~ 400%
Automatic Document Feeder (Option)	50 sheets (Letter) / 30 sheets (Ledger, Legal)
Paper Feed	550-sheet paper feed module x 2 + 50-sheet bypass Max.: 2,250 sheets with optional paper feed module x 2
Quantity Selector	1-999, Automatic reset to 1
Exposure Control	Text, Photo/Text, Photo
Page Memory Capacity	34 MB
Sorting Memory Capacity	8 MB
Optional Memory for Electronic Sort	Base Memory plus 8 MB / 16 MB / 128 MB
Power Requirements	99 - 138 V AC, 47 - 63 Hz Single phase
Power Consumption	Max.: Less than 1.4 kW Sleep mode: Approx. 1.9 Wh
Dimensions (H x W x D)	27.6" x 23.5" x 23.6"* ¹ (701 x 597 x 600 mm)
Weight (Excluding optional equipment)	141.3 lbs* ⁷ (64 kg)

Printer / Scanner

Printer Interface	Bi-directional Parallel (IEEE1284)
Printing Speed	33 ppm
Printing Resolution	600 dpi
Scanning Resolution	600 dpi (Local)
Scanner Driver	TWAIN
OS	Windows NT® 4.0 / Windows® 2000 / 98 / 95 / Me
Page Description Language	PCL6 Emulation (with optional PCL6 Emulation Kit)

G3 Fax (DA-FG230)

Compatibility	ITU-T Group 3, ECM
Modem Speed	33,600 - 2,400 bps with automatic fallback
Coding Scheme	JBIG / MMR / MR / MH
Transmission Speed	Approx. 3 second / page * ⁸
Scanning Speed	0.7 sec. (Letter portrait in Standard or Fine mode)
Scanning	Standard: 203 dots/inch x 98 lines/inch (8 dots/mm x 3.85 lines/mm)
Resolution	Fine: 203 dots/inch x 196 lines/inch (8 dots/mm x 7.7 lines/mm) Super Fine: 406 dots/inch x 391 lines/inch (16 dots/mm x 15.4 lines/mm)
Effective Scanning Width	11.5" (292 mm)
Recording Resolution	Max. 406 dots/inch x 391 lines/inch
Image Memory Capacity	Approx. 120 pages* ⁹
Optional Memory	Base memory plus 320 pages (4 MB) / 640 pages (8 MB)* ⁹

Internet Fax (DA-NE200)

Compatibility	IETF RFC 2305, ITU-T T.37
Communication Protocol	TCP/IP, SMTP, POP3, MIME
Network Connectivity	100BASE-TX / 10BASE-T Ethernet [IEEE 802.3]
Data Format	TIFF-FX Profile S, MMR (400 dpi only)

Notes

- *1 ADF or i-ADF is required
- *2 1-Bin Finisher is required
- *3 i-ADF is required
- *4 Local connection only
- *5 Optional Flash Memory is required
- *6 Fax Communication Kit is required.
- *7 Dimensions and weight are approximate.
- *8 Transmission time applies to memory transmission of text data with JBIG compression using only ITU-T Image No. 1 between the same models at modem speeds over 26.4 Kbps. Transmission time may vary in actual usage. Usually public telephone lines can support only 28.8-Kbps or lower communication speed. Via PBX, transmission speed may fall back to a lower speed.
- *9 Based on ITU-T Image No. 1 scanned in Standard mode.

Super G3 is the classification given to a type of facsimile that conforms to the 33.6-Kbps transmission method standardized in accordance with the ITU-T V.34 recommendation.

Microsoft®, Windows® and Windows NT® are registered trademarks of Microsoft Corporation.

PCL6 is a registered trademark of Hewlett-Packard.

WORKIO is a trademark of Matsushita Graphic Communication Systems, Inc.

All other brand or product names are the property of their respective holders.

Design and specifications are subject to change without notice.

Panasonic®

Panasonic Document Imaging Company
A Division of Matsushita Electric Corporation of America
Two Panasonic Way, Secaucus, NJ 07094
For a local dealer, please call 1-800-742-8086.
<http://www.panasonic.com/office>